

Genesis

New Generation Machine

TP-502

Innovative design. It's suitable for a wide range of general applications.



15F-1, NO. 17, SEC. 1, CHENGDE ROAD, TAIPEI 103, TAIWAN
 TEL: 886 2 2555 2515
 FAX: 886 2 2555 2516
 WEB: www.transpakcorp.com
 E-mail: transpak@transpak.com.tw

Made in Taiwan 09.2010x2000

Main Features

Compact Mechanical Strapping Head

With 30% less moving parts than conventional machines substantially reduces maintenance issues. There are no belts, chains or pulleys. Extremely low noise sealing head.

Electronic Tension Control

Adjustment for wider strap tension (8-45 kg) can be easily done on the front control panel.

Jog Switch

Using the "Jog switch" to adjust the machine to exactly the correct setting for maintenance.

Weld-Cooling Timer

The weld cooling time may be increased to insure high joint efficiency seals even under high tension.

Large Main Switch

The lockable CE rated large main power switch increases safe operation of the machine.

Adjustable Table Height

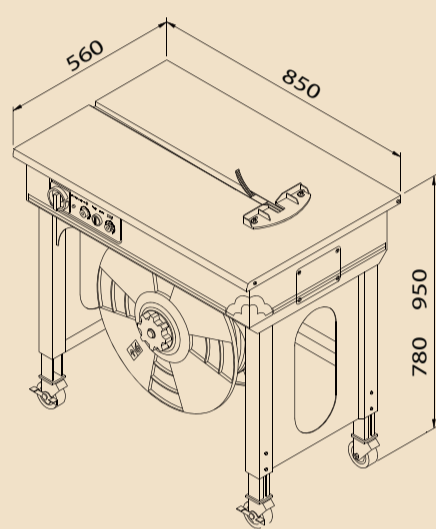
The table height is adjustable to any height between 780 mm and 950 mm.

Option

Digital readout for tension and feed settings

TP-502 TECHNICAL DATA

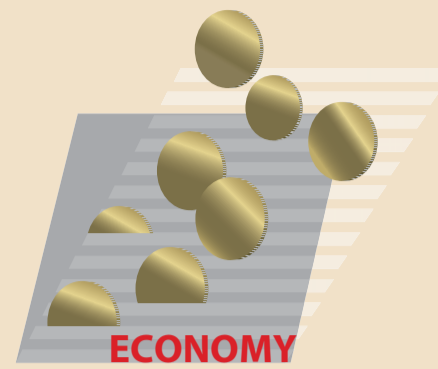
Strap Width: 5 mm-13 mm
 Strap Tension: 8-45 kg
 Adjustable Table Height: 780 mm-950 mm
 Net Weight: 70 kg
 Electrical Requirements: 110V, 220V, 230V 50/60Hz 1PH



All specifications are subject to change without notice.



TP-202



These machines are our most economical solution for Semi-Auto application. For low to medium volume strapping, our Semi-Auto machine is your best choice. In this category, we have two product lines:

Economy machine TP-202, TP-203, TP-202L
 New generation machine Genesis TP-502

SEMI-AUTO STRAPPING MACHINE

Economy Machine

Mr. Reliable

TP-202

Open frame model

TP-203

Mid-sized model

TP-202L

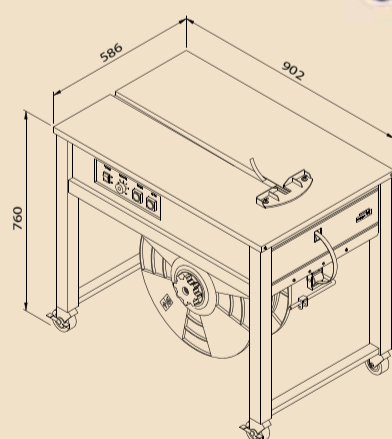
Low-table model

Made in Taiwan with pride.

These affordable, portable, and compact semi-auto strapping machines can meet your variable applications. The best sales in the world.



TP-202



Main Features

High engineering standard and simple design

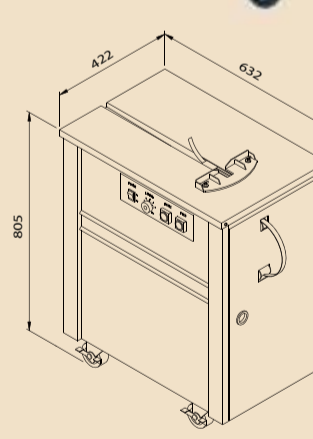


- Easy operation, simple maintenance
- Hinged stainless steel top plate
- Mechanical outside tension control
- Rigid castors with brake
- Energy efficient, motor only runs as needed
- Reliable P.C. Board control
- Affordable for every budget
- Offer maximum total value among competing brands
- Proven quality

Option

Adjustable table height from 760 mm to 930 mm

TP-203



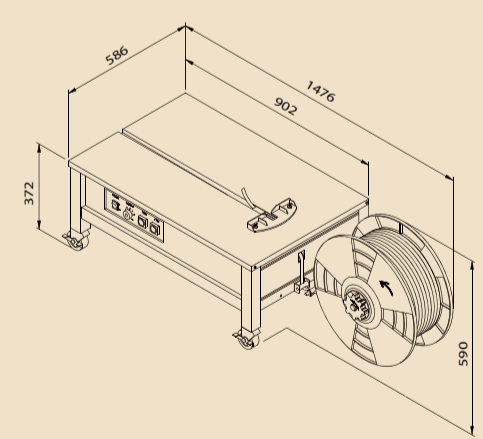
Main Features

- Mid-sized model
- Smoke exhaust system
- Designed specially for office, bank, post office, book and department store...etc.
- Other main features please refer to TP-202

TP-202 TECHNICAL DATA

Strap Width: 6 mm-15.5 mm
 Strap Tension: 15-45 kg
 Net Weight: 85 kg
 Electrical Requirements: 110V, 220V, 230V 50/60Hz 1PH

TP-202L



Main Features

- Low-table model
- Designed to accommodate tall or heavy packages
- Other main features please refer to TP-202

TP-203 / TP-202L TECHNICAL DATA

Strap Width: 6 mm-15.5 mm
 Strap Tension: TP-203: 9-30 kg
 TP-202L: 15-45 kg
 Net Weight: 80 kg
 Electrical Requirements: 110V, 220V, 230V 50/60Hz 1PH

